



DL Series

Submersible pumps for solid-laden wastewater. Made in cast iron and stainless steel, with mechanical seal and versions with single-channel impeller and Vortex impeller.

SPECIFICATIONS

Delivery: up to 42 m³/h

Head: up to 21 m

Power supply: three-phase and single-phase 50 and 60 Hz

Power: 0.6 kW to 1.5 kW

Maximum immersion depth: 5 m

Temperature of pumped liquid:

0°C to +50°C (with pump totally immersed)

0°C to +25°C (with pump partially immersed)

Liquids with suspended solids:

up to 45 mm (DL80-90-105 Minivortex-Vortex)

up to 50 mm (DL109-125, DLV100-115)

Protection: IP68

Length of cable: 10 m

MATERIALS

Pump body: Cast iron

Suction flange, feet, shaft extension, motor casing, impeller: Stainless steel

Elastomers: NBR

Mechanical seal: Carbon/Ceramic/NBR

Discharge elbow: Cast iron

APPLICATIONS

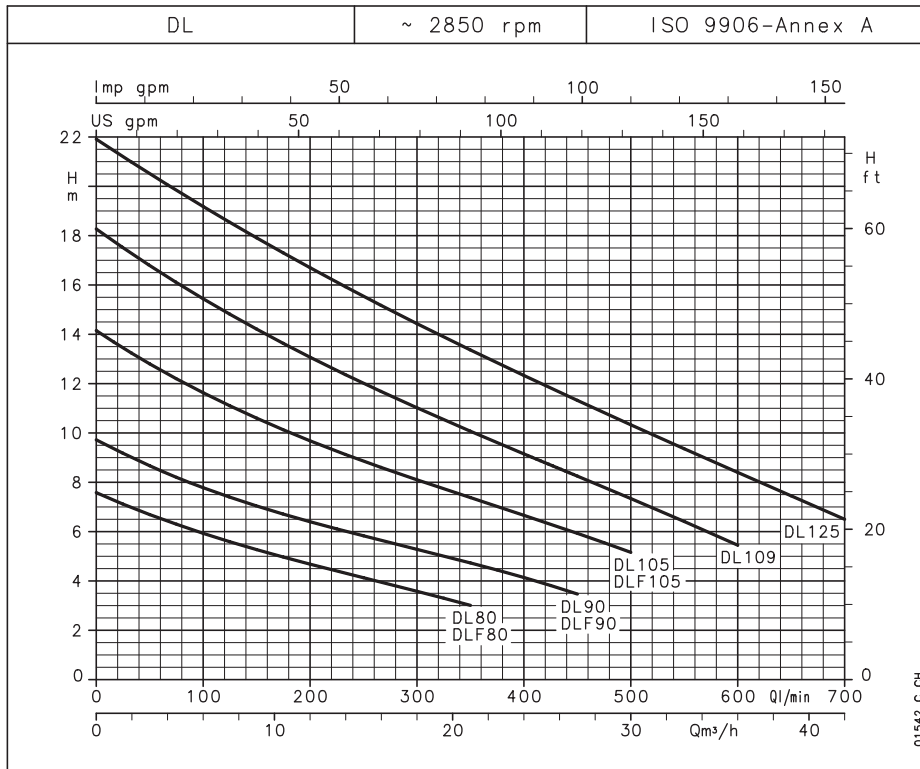
- Pumping of sewage with suspended solids and filaments
- Draining of septic tanks, sumps and wastewater discharge tanks
- Emptying of drains and tanks in industrial and ecological applications
- Emptying of tanks or reservoirs
- Emergency draining in flooded areas





General Catalogue

DL SERIES OPERATING CHARACTERISTICS AT 50 Hz, 2 POLES



DL SERIES - HYDRAULIC PERFORMANCE TABLE

| PUMP TYPE | RATED POWER | | Q = DELIVERY | | | | | | | | | | | | | |
|--------------------|-------------|---------------------------------------|--------------|------|------|------|------|------|------|------|------|------|-----|-----|-----|--|
| | | | l/min | 0 | 100 | 150 | 200 | 250 | 300 | 350 | 400 | 450 | 500 | 600 | 700 | |
| | | | m³/h | 0 | 6 | 9 | 12 | 15 | 18 | 21 | 24 | 27 | 30 | 36 | 42 | |
| | | H = TOTAL HEAD METRES COLUMN OF WATER | | | | | | | | | | | | | | |
| DL(M) 80-DLF(M) 80 | 0,6 | 0,8 | 7,6 | 5,9 | 5,3 | 4,7 | 4,1 | 3,6 | 3,0 | | | | | | | |
| DL(M) 90-DLF(M) 90 | 0,6 | 0,8 | 9,7 | 7,8 | 7,0 | 6,4 | 5,8 | 5,3 | 4,7 | 4,1 | 3,5 | | | | | |
| DL 105 - DLF105 | 1,1 | 1,5 | 14,1 | 11,6 | 10,6 | 9,7 | 8,9 | 8,1 | 7,4 | 6,7 | 5,9 | 5,2 | | | | |
| DL(M) 109 | 1,1 | 1,5 | 18,3 | 15,4 | 14,2 | 13,1 | 12,0 | 11,0 | 10,1 | 9,2 | 8,2 | 7,3 | 5,4 | | | |
| DL 125 | 1,5 | 2 | 21,9 | 19,2 | 17,9 | 16,7 | 15,5 | 14,4 | 13,4 | 12,3 | 11,3 | 10,3 | 8,4 | 6,5 | | |

These performances are valid for liquids with density $\rho = 1,0 \text{ kg/dm}^3$ and kinematic viscosity $\nu = 1 \text{ mm}^2/\text{s}$.

dl-2p50-en_b_th

ELECTRICAL DATA

| PUMP TYPE | ABSORBED POWER* | ABSORBED CURRENT* | CAPACITOR |
|--------------|-----------------|-------------------|-------------------------------|
| SINGLE-PHASE | kW | 220-240 V A | $\mu\text{F} / 450 \text{ V}$ |
| DLM80-DLFM80 | 0,79 | 3,91 | 25 |
| DLM90-DLFM90 | 0,89 | 4,27 | 25 |
| - | - | - | - |
| DLM109 | 1,55 | 6,87 | 35 |
| - | - | - | - |

| PUMP TYPE | ABSORBED POWER* | ABSORBED CURRENT* | ABSORBED CURRENT* |
|--------------|-----------------|-------------------|-------------------|
| THREE-PHASE | kW | 220-240 V A | 380-415 V A |
| DL80-DLF80 | 0,8 | - | 2,09 |
| DL90-DLF90 | 0,92 | 3,81 | 2,2 |
| DL105-DLF105 | 1,43 | 4,66 | 2,69 |
| DL109 | 1,54 | 5,44 | 3,14 |
| DL125 | 2,14 | 6,58 | 3,8 |

*Maximum values within operating range.

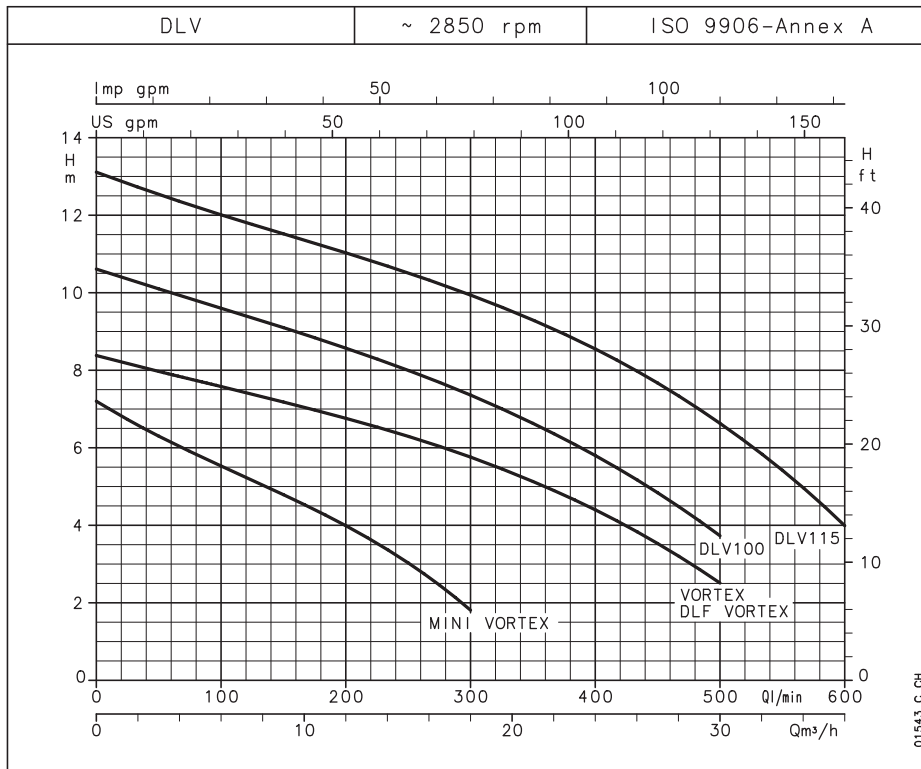
dl-2p50-en_b_te

Engineered for life



General Catalogue

DLV SERIES OPERATING CHARACTERISTICS AT 50 Hz, 2 POLES



3

DLV SERIES - HYDRAULIC PERFORMANCE TABLE

| PUMP TYPE | RATED POWER | | Q = DELIVERY | | | | | | | | | | | | |
|-------------------|-------------|-----|---------------------------------------|------|------|------|------|------|-----|-----|-----|-----|-----|-----|-----|
| | | | l/min | 0 | 50 | 100 | 150 | 200 | 250 | 300 | 350 | 400 | 450 | 500 | 600 |
| | | | m³/h | 0 | 3 | 6 | 9 | 12 | 15 | 18 | 21 | 24 | 27 | 30 | 36 |
| | | | H = TOTAL HEAD METRES COLUMN OF WATER | | | | | | | | | | | | |
| MINI VORTEX(M) | 0,6 | 0,8 | 7,2 | 6,3 | 5,5 | 4,8 | 4,0 | 3,0 | 1,8 | | | | | | |
| VORTEX-DLF VORTEX | 1,1 | 1,5 | 8,4 | 8,0 | 7,6 | 7,2 | 6,8 | 6,3 | 5,8 | 5,1 | 4,4 | 3,5 | 2,5 | | |
| DLV(M) 100 | 1,1 | 1,5 | 10,6 | 10,1 | 9,6 | 9,1 | 8,6 | 8,0 | 7,4 | 6,6 | 5,8 | 4,8 | 3,7 | | |
| DLV 115 | 1,5 | 2 | 13,1 | 12,5 | 12,0 | 11,5 | 11,0 | 10,5 | 9,9 | 9,3 | 8,5 | 7,7 | 6,6 | 4,0 | |

These performances are valid for liquids with density $\rho = 1,0 \text{ kg/dm}^3$ and kinematic viscosity $\nu = 1 \text{ mm}^2/\text{s}$.

dlv-2p50-en_b_th

ELECTRICAL DATA

| PUMP TYPE | ABSORBED POWER* | ABSORBED CURRENT* | CAPACITOR |
|---------------|-----------------|-------------------|-------------------------------|
| SINGLE-PHASE | | 220-240 V | |
| | kW | A | $\mu\text{F} / 450 \text{ V}$ |
| MINI VORTEX M | 1,05 | 4,82 | 25 |
| - | - | - | - |
| DLVM100 | 1,64 | 7,30 | 35 |
| - | - | - | - |

| PUMP TYPE | ABSORBED POWER* | ABSORBED CURRENT* | ABSORBED CURRENT* |
|-------------------|-----------------|-------------------|-------------------|
| THREE-PHASE | | 220-240 V | 380-415 V |
| | kW | A | A |
| MINI VORTEX | 1,10 | - | 2,36 |
| VORTEX-DLF VORTEX | 1,66 | 5,11 | 2,95 |
| DLV 100 | 1,65 | 5,63 | 3,25 |
| DLV 115 | 2,25 | 6,81 | 3,93 |

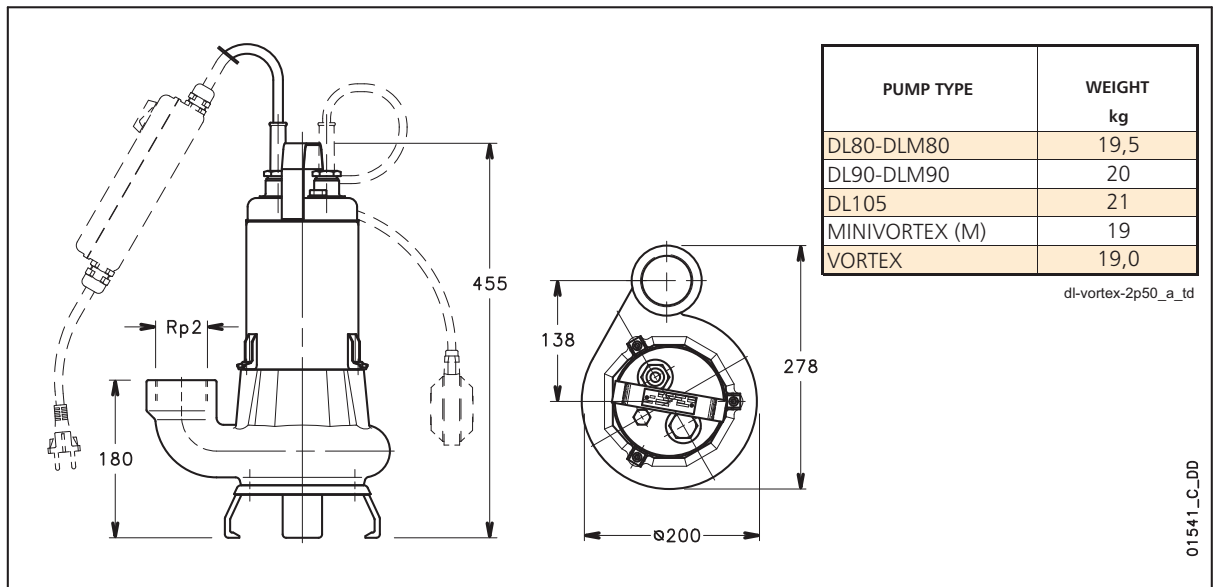
*Maximum values within operating range.

dlv-2p50-en_b_te

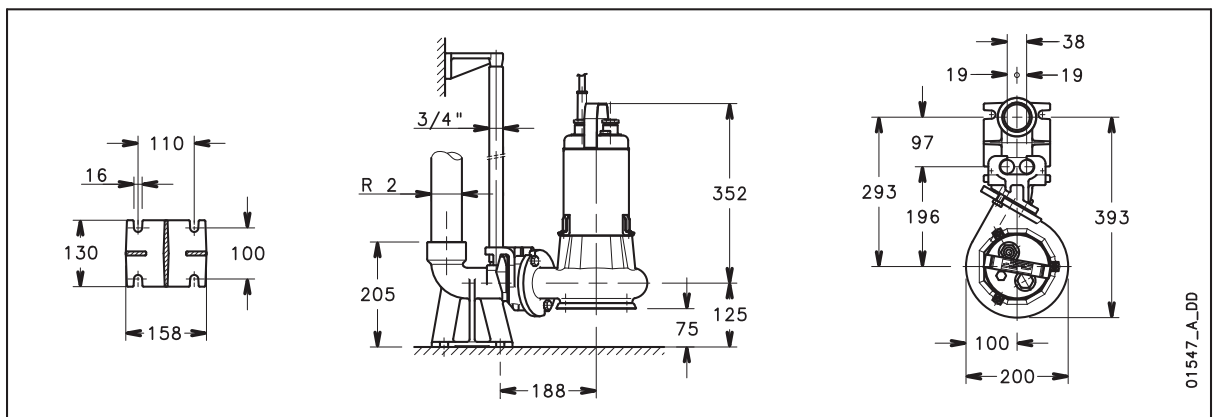
Engineered for life



DL - VORTEX SERIES DIMENSIONS AND WEIGHTS

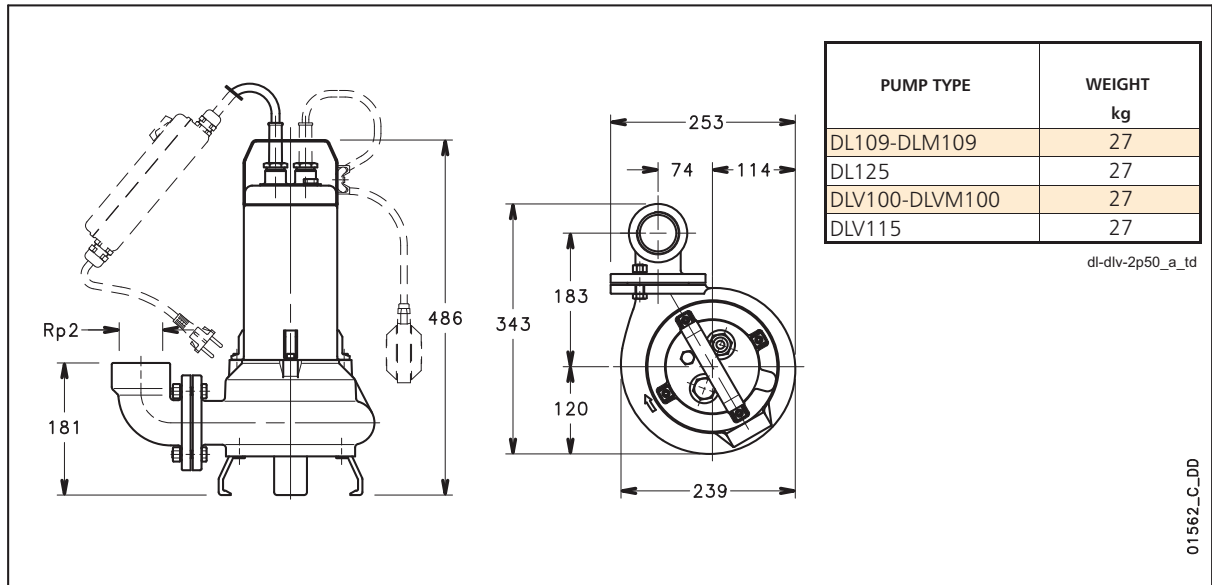


DLF SERIES DS2





DL - VORTEX SERIES DIMENSIONS AND WEIGHTS



3

DLF SERIES DS2

